

Spoke



Folks

Antique Automobile Club of America  North Alabama Region



1957 Studebaker Carnival Ride / 2023 Orphan Car Show / Photo Credit Frank Tatom



President's Message

Jeff Slagle *President*

Dear NAR Members,

As we gather for our monthly meeting, I want to share an interesting historical fact that holds great significance in the world of automobiles. On June 15, 1911, Charles Kettering filed the patent application for the electric starter, a groundbreaking innovation that forever changed the automotive industry. This invention eliminated the arduous task of hand-cranking engines, making cars more accessible and user-friendly. The patent was granted on August 20, 1912, marking a pivotal moment in automotive history.

I personally have had a very busy and time consuming June, and I am delighted to share some wonderful news with you all. Our family has grown with the arrival of a beautiful new grandbaby, Maple Wanda Clause, born on June 12, 2024. Both mom and daughter are doing very well, and our hearts are filled with joy. Drea, in particular, is over the moon and has been beaming with pride and happiness. Watching our family grow and welcoming this precious new life has been an incredibly heartwarming experience for all of us.

NAR has also had a very busy June, actively participating in various events. We had a fantastic time at the Memorial Day Picnic, which was a lot of fun. We also took part in the Army Birthday Celebration, despite the very hot weather. The high temperatures reminded us of the importance of being careful and staying hydrated during such events. Additionally, our club showcased its presence at Cabela's 15th Annual Charity Car Show, the Elite Car Club Car Show, and the HCRU show at Monte Sano State Park. We've had numerous displays at venues like Fleming Farms, Monark Grove Senior Living, and Madison Village. Each of these events has allowed us to share our passion for antique automobiles with the community and build stronger connections.

I must share a humorous moment from one of the recent adventures. This time, it wasn't my car that broke down, but Chuck's. He took the honor of experiencing some unexpected car troubles, giving me a good chuckle (pun intended). But let this serve as a reminder of the unpredictable nature of our beloved vintage vehicles which is part of the fun and that makes our club so special.

Lastly, I would like to express my heartfelt gratitude for your continued support, attendance, and resilience in overcoming challenges to participate in our events. A special thank you goes to Ana Emmi and Randy Owen for capturing all the wonderful moments in pictures.

I eagerly anticipate seeing everyone on June 27, 2024, at 6:00 p.m. for the NAR Quarterly Dinner Meeting at Greenbrier Restaurant located at 27028 Old Highway 20, Madison, AL 35756-5534.

Until the next pit stop,

Jeff 

Spoke Folks Content

President's Message	2
NAR Meeting Minutes	3
NAR Club Information	4
NAR Article	11
AACA Article	13
2024 Calendar of Events	14
AACA National Calendar	16
Membership Application	17



facebook.com/groups/naraaca

Spoke Folks

Monthly Newsletter of the North Alabama Region
Antique Automobile Club of America

President	Jeff Slagle
Vice-President	Chuck Nickey
Secretary	Angie Henslee
Treasurer	Dave Robertson
Newsletter Editor	Tom Beam
Webmaster	Dave Dunlap
Board of Directors	Joe Marchelites
	Wayne Scites
	Bob Ferenc
	Harry Trumbull

Spoke Folks is published monthly and is distributed to Region members and selected others. Non-copyrighted material contained herein may be reprinted if credit is given to Spoke Folks. Views expressed herein do not necessarily reflect the views of the Region Officers or the Board of Directors.



North Alabama Region



Meeting called to order on 3 May 2024 at 7:00 p.m.

Old Business

- Welcome, Pledge, No visitors
- Secretary minutes voted on and approved
- Treasurer report voted and approved
- Club gear: Nametags, Shirts, Caps, Jackets, etc. See Laurie if interested in purchasing
- Website Report: New website host is Siteground. New web address: nar-aaca.org
- Facebook report: going smoothly
- Online rooster: <https://naraaca.ctrn.co/directory/index.php>
- Open Registration for AACA National Show begins May 28

New Business

- Dues need to be paid for the new year
 - \$20 NAR dues
 - \$45 AACA dues
 - Please pay if you haven't already
- Member Projects: Chuck Nickey, Ed Hanish, Greg Stefanovic, Bob Ferenc & Harold Canear
- Check out new NAR website. The calendar is phenomenal.
- National Car show report by Dave Robertson
 - Rocket City Southeastern Fall Nationals; October 23-26, 2024. Orion Amphitheater
 - Dave Robertson; chairman
 - Judges and volunteers needed
 - Many activities in process and things to do
 - Last day of registration is 29 September, 2024. 300 spots

Club Activities Discussed for 2024

- Upcoming events: NAR Annual Picnic May 27 at the Scites home
- Tonight's Refreshments provided by Al & Ana Maria Clare-Emmi
- Tonight's Program, Presented by Jeff
- Next NAR meeting: 27 June, 2024, 6:00 p.m. at the Old Greenbrier Restaurant
- Meeting adjourned

NAR Club Information

Member Milestones

Birthdays

June 7 Mike O'Halloran
June 8 Carolyn Miller
June 10 Bob Vaughan
June 17 Terry Johnson
June 19 Marcia Snellen
June 25 Tom Beam

Anniversaries

June 8 M.D. and Judy Smith / **63 in 2024**
June 11 Dave and Fran Baswell
June 19 Chuck and Lynn Nickey / **48 yr in 2024**
June 28 Gerald and Teri Moore / **38 in 2024**

NAR Monthly Meeting Refreshments

27 th June	<i>6:00 p.m. / Greenbrier BBQ</i>	24 th October	Jerry and Annette Carignan
25 th July	Joe Stegmaier	21 st November	
22 nd August		TBD December	<i>Christmas Party</i>
26 th September	<i>6:00 p.m. / Las Trojas</i>		

NAR Monthly Meeting Programs

NAR would love to have its members share their personal antique car stories of interest at its monthly meetings. Presentation time should be between 20 to 30 minutes. If you have one you to share, please volunteer. If you have an idea for one, but need help to track it down, please contact Chuck Nickey at cnickey55@att.net.

25 th July	<i>Joe Stegmaier</i>
22 nd August	<i>NAR members encouraged to share</i>
21 st November	<i>NAR members encouraged to share</i>

Members Care and Concerns

- Clem Greek's knee surgery was successful. He's doing well in recovery since then.

Newest Grandbaby

Jeff and Drea Slagle have a new Granddaughter, Maple Wanda Clause. Pictured here at 5 days old. Drea was trying very hard to make her smile.



NAR Club Information

For Sale - 1957 Ford Thunderbird

<https://classiccars.com/listings/view/1859568/>

This primo 1957 'baby-bird' Ford Thunderbird is like factory new. It has won numerous first-place trophies in regional car shows. Convertible comes with like-new soft black top, and the port-hole white hard top. Everything in the engine compartment is like new as you can see in photo. Upholstery has no blemishes, including interior of hard top.

V8, 312 Cubic Inch, 4 Barrel, 3 Speed Automatic

Owner and NAR Member Judy Smith asking **\$35,500**

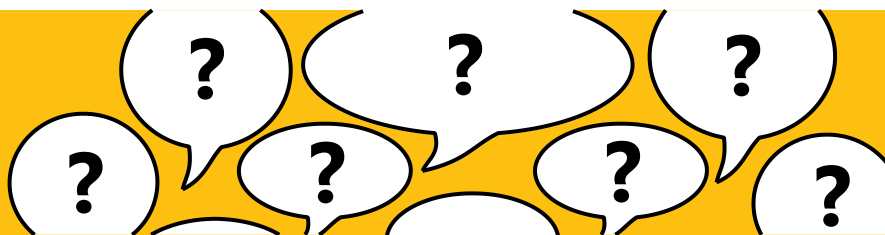


NAR Club Information

2024 Rocket City Southeastern Fall Nationals

24-26 Oct 2024

Did You Know?



- Registration is now open on-line at aaca.org; select the AACA Member Login tab; enter your member number and PIN; select Meet Pre-registration; click on Southeastern Fall Nationals and Register for the events you will be attending. After completion, you will have an option to pay your registration fees with a credit card. If you can't access the on-line registration, look for a Information Inquiry card that will be enclosed with your next Antique Automobile magazine. Complete this card and mail it to the address noted. AACA will send you a hardcopy Registration card for you to complete. Complete the form and mail with a check for your fees to the address listed.
- Any AACA member can become an AACA Judge. First time judges must attend a Judges' School, Judges' Breakfast and will judge Drivers Participation Class (DPC) vehicles on the show field. NAR will be hosting a Judges' School on Friday from 2:00 p.m. to 4:00 p.m. and Judges' Breakfast on Saturday from 8:00 a.m. to 9:15 a.m. The only cost to become a Judge is the \$10.00 fee for the Judges' Breakfast. To register to be a judge, log onto aaca.org; AACA Member Login; enter member number and PIN; select Judges Pre-registration; select our event Southeastern Fall Nationals and select Register and then complete the Registration Form.
- All vehicles MUST be driven on the show field under their own power except for motorcycles and documented race vehicles (check-in for those vehicles is Friday).
- All vehicles MUST have an APPROVED and fully charged fire extinguisher. Lack of a fire extinguisher results in disqualification. Fire extinguishers must be UL-approved and are to be in open view, is typically placed by the driver's side front tire.
- Vehicles are to be properly positioned in their assigned parking spot, with hood & trunk open, convertible or T-Tops up and on, windows up and at least one door unlocked in preparation for judging.
- Engines will not be started for judging; lights, power equipment and horn will not be checked for operability.
- The AACA Rocket City Southeastern Fall Nationals is almost a weeklong event. It will start October 23rd with a social event at the Holiday Inn / Research Park followed by tours to the Space and Rocket Center Museum, a Cruise to Lake Guntersville, and a few more socials including one at the Stars and Strikes, a premier venue for fun activities, food and games and one at the Orion Amphitheater Stage with live entertainment by Grits and Juice. This one in a lifetime 4-day event will culminate on Saturday, October 26th with the 2024 Rocket City Southeastern Fall Nationals Car Show at the Orion Amphitheater followed by the Awards Banquet at the Space and Rocket Center, Davidson Hall, Saturn V Exhibit Hall. Don't miss out on this year's most unforgettable experience. Register is now open at aaca.org.

NAR Club Information

Helpful QR Codes for Upcoming AACA Southeastern Fall Nationals



NAR-AACA.ORG



NAR-AACA.ORG / Nationals_2024



Holiday Inn Booking



Best Western Booking



**Marriott
(Residence & Fairfield Inns)**



**North Alabama Region
of the
Antique Automobile Club of America**



VISIT OUR WEBSITE AT www.nar-aaca.org

2024 ROCKET CITY NATIONALS SHOW SPONSOR INFORMATION

The North Alabama Region – Antique Automobile Club of America (AACA) is hosting the Rocket City Southeastern Fall Nationals October 23-26, 2024 at the Orion Amphitheater in Huntsville, AL. Revenue from sponsors will assist in defraying the cost of hosting this event. The show attendance is free to the public and is a community event to see all makes, models, and vintage antique vehicles. A show like this one hasn't happened in Alabama since the early 80's. We are thrilled to host it this year!

Let me tell you all the information about our car club's upcoming event. It will be a once in a lifetime opportunity for your company to gain exposure, to not only hundreds of local folks, but to people from all over the nation.

In case you don't know, the AACA is "America's Car Club" with over 350 active regions and Chapter Worldwide and 55,000 members around the world.

We are expecting over 1000 people and over 250 factory-correct vehicles from all over the nation including cars, trucks, and motorcycles. Yes! Works of art!

We will be having events throughout the week. Starting Oct. 23rd with a social event at the Holiday Inn - Research Park followed by tours to the Space & Rocket Center Museum, a Cruise to Lake Guntersville, and a few more socials including one at the Orion Amphitheater Stage with live entertainment by Grits and Juice. The almost weeklong event will culminate on Saturday, Oct. 26th with the 2024 Rocket City Southeastern Fall Nationals Car Show at the Orion Amphitheater followed by the Awards Banquet at the Space & Rocket Center, Davidson Hall, Saturn V Exhibit Hall.

Since this event will be the talk of the town, we would like you to be one of our sponsors. There are multiple options of sponsorship with different benefits!

Attached you will find the sponsor's form. Early June we will be printing our show flyer. If you want to jump on board, just let me know. We want to include your logo (PDF format) in this printing. There will be many more opportunities later on since this is just the first batch. We will also have press releases since we are working with the Huntsville/Madison County Visitors Bureau and the Orion Amphitheater. They are two of our sponsors.

Let me know if you need anything else. It would be great to have you be part of this great event! Thank you for your support.

North Alabama Region (NAR) – Antique Automobile Club of America



2024 ROCKET CITY NATIONALS SHOW SPONSOR INFORMATION (cont.)

Platinum Sponsor - \$1,000

1. Your corporate 'brand logo' will be included in all printed show flyers and on-line marketing activities. Logo will be the largest font size printed.
2. Logo posting on our club website, nar-aaca.org, identifying you as a Platinum Sponsor with hyperlink to your website or Facebook page.
3. Full page color ad in show program.
4. Unique Banner on the Show Field.
5. Promotional announcements every hour during the show.
6. Largest logo on the show T-shirt.
7. Space at the show to promote or display your product/service.
8. Two (2) admissions to all show events.

Gold Sponsor - \$500

1. Your corporate 'brand logo' will be included in all printed show flyers and on-line marketing activities.
2. Logo posting on our club website, nar-aaca.org, identifying you as a Gold Sponsor with hyperlink to your website or Facebook page.
3. Includes half page color ad in show program.
4. Brand logo included on 'Sponsor' Banner on the Show Field.
5. Regular promotional announcements during the show.
6. Brand logo on the show T-shirt.
7. Space at the show to promote or display your product/service.

Platinum & Gold Sponsorships include the following:

1. Ad in the show Program book (ad size based on sponsorship level)
2. Listing in the NAR-AACA monthly newsletter Spoke Folks
3. Sponsor's name on the club's website, nar-aaca.org (with link to the sponsor's website)
4. Sponsor's logo included on NAR Facebook page
5. Sponsor's name posted at the show banner along with public address recognition
6. Sponsor receives a commemorative plaque
7. Sponsor receives a receipt for tax purposes (as advertising)

ADDITIONAL SPONSORSHIP OPPORTUNITIES – SHOW PROGRAM

Full Page Color Ad - \$400

Half Page Color Ad - \$200

Full Page B&W Ad - \$200

Half Page B&W Ad - \$125

Quarter Page Color Ad - \$125

Business Card Size Ad (Color) - \$50

Quarter Page B&W Ad - \$75

Business Card B&W Ad - \$25



2024 ROCKET CITY NATIONALS SHOW SPONSOR INFORMATION

Please make checks payable to NAR-AACA. Mail the check for your ad to NAR-AACA
PO Box 695, Huntsville, AL 35804. Logo and ad copy can be emailed to daveLrobertson44@gmail.com .

Thank you for supporting the Rocket City Nationals Show.

Date Received: _____ day of _____, 2024

Received of: _____

Sponsorship Level/Ad Size: _____ \$ _____

Received by: _____

for the North Alabama Region, Antique Automobile Club of America

The Woman Who Invented Windshield Wipers



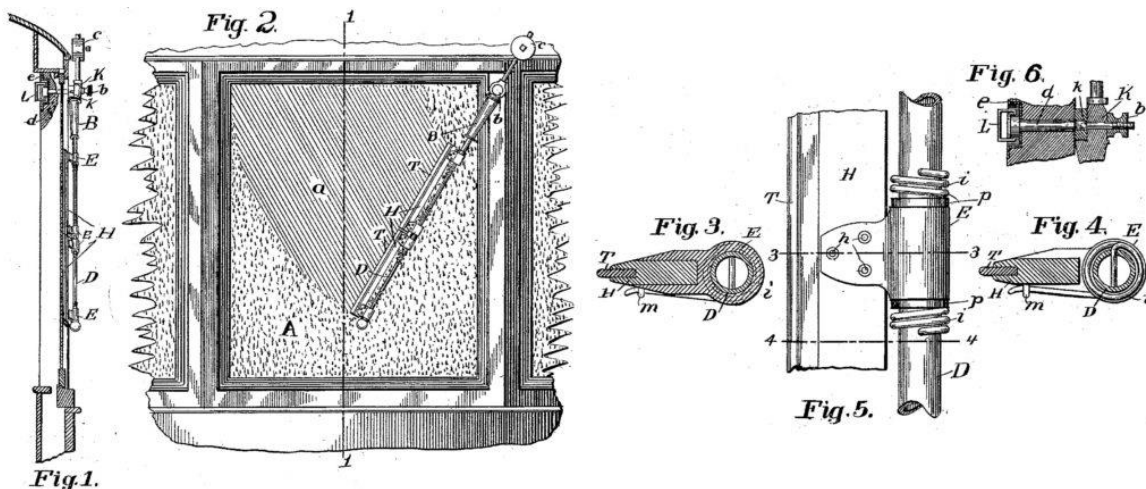
Mary Elizabeth Anderson (February 19, 1866 – June 27, 1953) was an American real estate developer, rancher, viticulturist, and most notably the inventor of what became known as the windshield wiper. On November 10, 1903 Anderson was granted her first patent for an automatic car window cleaning device controlled from inside the car, called the windshield wiper. Her patent didn't get far as she got no manufacturing firms to agree to make her invention.

Mary's Invention / Windshield Wipers

Mary Anderson was born in Burton Hill Plantation, Greene County, Alabama in 1866. In 1889 she moved to the booming town of Birmingham, Alabama. In Birmingham, Anderson became a real estate developer soon after settling and built the Fairmont Apartments on Highland Avenue.

In 1902, she visited to New York City in the winter. Anderson sat in a trolley car on a frosty day. Anderson observed that the trolley car driver struggled to see past the windows because of the falling sleet. The trolley car's front window was designed for bad-weather visibility, but its multi-pane windshield system worked very poorly. Therefore, to clear the sights, the driver needed to open the window, lean out of the vehicle, or stop the car to go outside in order to wipe the windscreen with his or her hands. Anderson, who was not an engineer but an entrepreneur, identified the problem and its opportunity. She envisioned a windshield wiper blade that the trolley driver could operate from the inside. At that time, it rarely occurred to anyone else to eliminate the problem. It was something drivers simply accepted and dealt with.

When she returned to Alabama, she drew up a sketch for a wiper blade that could be operated from inside a vehicle and wrote up the description. She also hired a designer for a hand-operated device to keep a windshield clear and had a local company produce a working model. Her device consisted of a lever inside the vehicle that controlled a rubber blade on the outside of the windshield. The lever could be operated to cause the spring-loaded arm to move back and forth across the windshield. A counterweight was used to ensure contact between the wiper and the window. The device could be easily removed if desired after the winter was over. Similar devices had been made earlier, but Anderson's was the first windshield clearing device to be effective. Anderson's simple mechanism and basic design have remained much the same, but unlike today's windscreen wipers, Anderson's could be removed when not needed. *Continued*



NAR Article

She then applied for, and in 1903 was granted, a 17-year patent for a windshield wiper. The patent application was filed on June 18, 1903. On November 10, 1903, the United States Patent Office awarded Anderson patent number 743,801 for her Window Cleaning device.

In 1903 when Anderson applied for the patent, cars were not very popular. Henry Ford's Model A automobile had not been manufactured yet. Therefore, when Anderson tried to sell the rights to her invention through a noted Canadian firm of Dinning and Eckenstein in 1905, they rejected her application. They argued, "we do not consider it to be of such commercial value as would warrant our undertaking its sale." Furthermore, many could not see the value of her invention and stressed the risk that the driver would be distracted by operating the device and the moving wipers.

By 1913, the automobile manufacturing business had grown exponentially and windshield wipers were standard equipment. In 1922, Cadillac became the first car manufacturer to adopt them as standard equipment. However, Anderson never profited from her invention or was given an recognition. Giving up on partnering with companies to manufacture her invention, the patent expiring in 1920. According to the National Inventors Hall of Fame, her invention was simply ahead of its time, and other companies and entrepreneurs were able to profit off her original ideas.

Legacy

In 2011 Anderson was inducted into the National Inventors Hall of Fame with U.S. Patent No. 743,801. With minimal mention or recognition until 2011, thankfully Anderson's sketch provides a glimpse of her entrepreneurial spirit and ambition. Rini Paiva, executive vice president at the National Inventors Hall of Fame said, "She was persistent, she was forward-thinking, and she had the drive to follow up on an idea.

What's a Square Car Tour?

Every spring my AACA Tidewater Region plans a Square Car Tour over local back roads. A square car is not of the modern types like a Scion Cube or one of the other competing unattractive models. It is defined as a car of the 1920 to 1930s, which is gracefully square in shape. Members with newer antique cars also participate. The cars are placed in age order, frequently a Ford Model T will lead the tour, which makes it easy to keep up. Detailed directions are passed out at a driver's meeting prior to the tour start. By taking all less traveled roads, we do not create traffic problems for everyone else.

This year there were 29 cars participating and some 60 plus members and guests. The tour traveled approximately 72 miles, traveling through farm land and protected wetlands, which provided a beautiful spring setting, ending at a nearby restaurant for a late lunch. This has always been a well-attended activity and this year was no exception. We always invite the local Model A Club and have actually had members of this group join AACA and the Tidewater Region.

The next time your Region wants to take a short tour to exercise your cars, and have a great social activity, try a Square Car Tour. You will simply love it.



1925 Chevrolet Superior K Touring



1924 Ford Model T



1933 Dodge 4 Door Sedan

2024 Calendar of Events

For event detail see: <http://www.naraaca.org/calendar.html>

June

- 22 **17th Annual Car Show/Swap Meet** / Huntsville Cave Rescue Unit / Huntsville, AL
- 23 **Legacy Crew Cars 'n Tacos** / Ay Chichuahua Mexican Restaurant / Priceville, AL
- 27 **NAR / AACA Quarterly Dinner-Out** / Greenbrier BBQ / Huntsville, AL
- 29 **37th Annual Helen Keller Festival Car & Truck Show** / Downtown Tuscumbia, AL
- 29 **8th Annual Huntsville June Fest** / Milton Frank Stadium / Huntsville, AL
- 30 **2nd Annual Car Show benefitting Children's Hospital Miracle Network** / Madison Wal-Mart Supercenter / Madison, AL / 2:00 pm to 4:00 pm / Registration 1:00 pm / Entry \$20

July

- 3 **First Wednesday Car Meet** / Village of Providence / Huntsville, AL
- 6 **Cars & Coffee** / MidCity / Huntsville, AL
- 6 **Athens Downtown Square Cruise-In** / Athens, AL
- 13 **Priceville Cars N' Coffee** / Morgan County Veteran's Memorial / Priceville, AL
- 13 **Bee Line Highway Classics and Cruisers 2nd Saturday Cruise-In** / Hartselle, AL
- 20 **Horse Power Therapy Cars and Coffee** / Huntsville, AL
- 20 **Handy Festival Car & Truck Show** / Florence, AL
- 21 **Rocket City Mustang Club Cruise-In** / Sonic / Madison, AL
- 25 **NAR / AACA Monthly Meeting** / Museum of Information Explosion / Huntsville, AL

August

- 3 **Cars & Coffee** / MidCity / Huntsville, AL
- 3 **26th Annual Show Mopars on the Mountain** / Huntsville, AL
- 7 **First Wednesday Car Meet** / Village of Providence / Huntsville, AL
- 10 **Priceville Cars N' Coffee** / Morgan County Veteran's Memorial / Priceville, AL
- 10 **4th Annual Rocket City Octane Auto Show** / Huntsville, AL
- 13 **Bee Line Highway Classics and Cruisers 2nd Saturday Cruise-In** / Hartselle, AL
- 17 **Horse Power Therapy Cars and Coffee** / Stovehouse / Huntsville, AL
- 17 **15th Annual Shoals Area Mustang & All Ford Show & Shine** / Florence, AL
- 18 **Rocket City Mustang Club Cruise-In** / Sonic / Madison, AL
- 19 **Priceville's Annual Cruise-In** / Priceville, AL
- 22 **NAR / AACA Monthly Meeting** / Museum of Information Explosion / Huntsville, AL
- 24 **3rd Annual Autism Awareness Car Show** / Rogersville AL
- 24 **Charity Car Show** / Guntersville, AL

2024 Calendar of Events

For event detail see: <http://www.naraaca.org/calendar.html>

September

- 4 **First Wednesday Car Meet** / Village of Providence / Huntsville, AL
- 6-7 **68th Annual Car Show** / Red Boiling Springs, TN
- 7 **Cars & Coffee** / MidCity / Huntsville, AL
- 14 **Priceville Cars N' Coffee** / Morgan County Veteran's Memorial / Priceville, AL
- 14 **Bee Line Highway Classics and Cruisers 2nd Saturday Cruise-In** / Hartselle, AL
- 15 **Rocket City Mustang Club Cruise-In** / Sonic / Madison, AL
- 21 **Horse Power Therapy Cars and Coffee** / Stovehouse / Huntsville, AL
- 21 **6th Annual Car Show** / Ingalls Harbor Pavilion / Decatur, AL
- 26 **NAR / AACA Quarterly Dinner-Out** / Las Trojas / Huntsville, AL
- 28 **Faith and Fellowship 4th Annual Car Show** / Shelbyville, TN

October

- 5 **Cars & Coffee** / MidCity / Huntsville, AL
- 5 **24th Annual Car and Truck Show** / John Barnes Ballpark / Ardmore, TN
- 12 **Priceville Cars N' Coffee** / Morgan County Veteran's Memorial / Priceville, AL
- 12 **Bee Line Highway Classics and Cruisers 2nd Saturday Cruise-In** / Hartselle, AL
- 18-19 **Tennessee Valley Auto Fest Inaugural Car Show** / Wicks Family Field / Huntsville, AL
- 19 **Horse Power Therapy Cars and Coffee** / Stovehouse / Huntsville, AL
- 23-26 **Southeastern Fall Nationals** / Sponsored by NAR / AACA / Huntsville, AL

November

- 2 **Cars & Coffee** / MidCity / Huntsville, AL
- 2 **9th Annual Rods and Wheels Cruise-In** / Ditto Landing / Huntsville, AL
- 9 **Priceville Cars N' Coffee** / Morgan County Veteran's Memorial / Priceville, AL
- 16 **Horse Power Therapy Cars and Coffee** / Stovehouse Huntsville, AL
- 21 **NAR / AACA Monthly Meeting** / Museum of Information Explosion / Huntsville, AL

December

- 7 **Cars & Coffee** / MidCity / Huntsville, AL
- 14 **Priceville Cars N' Coffee** / Morgan County Veteran's Memorial / Priceville, AL
- 21 **Horse Power Therapy Cars and Coffee** / Stovehouse / Huntsville, AL
- TBD **NAR / AACA Quarterly Dinner-Out** / Location TBD

AACA 2024 National Shows and Tours Calendar

Please verify prior to making plans to attend any event listed.

<https://aaca.org/aacanationalshowsandtourscalendar/>

- July 10-13 Western Divisional Tour / Big Horn Mountain, Wyoming
- September 12-14 Western Fall Nationals / Loveland, Colorado
- September 22-27 Revival AAA Glidden Tour® / Fairfield, Pennsylvania
- October 8-11 Eastern Fall Nationals / Hershey, Pennsylvania
- October 23-26 Southeastern Fall Nationals / Huntsville, Alabama





The North Alabama Region of the Antique Automobile Club of America



Membership Application / Renewal

Local dues are \$20 per year (Including monthly newsletter). Please bring this application to a meeting or mail it and a check made out to NAR to:

North Alabama Region - AACA
c/o Dave Robertson, 3503 Rolphmire Lane, Madison, AL 35757

Name/Spouse's Name _____

Child(ren)'s Name(s) _____

Address _____

City / State / Zip Code _____

Phone Number(s) _____

Email Address _____

Birthday / Anniversary (Optional) _____

Member Sponsor (Optional) _____

AACA Number _____

Membership in the Antique Automobile Club of America (AACA) is required. If you are not currently an AACA member, please let us know and we will send you a membership application or go to www.aaca.org to apply online. Dues are \$45/year or \$700/life including bi-monthly newsletter. Student membership is \$12/year.

Signature _____

Antique Vehicles Owned (Optional)

Year	Make	Model	Body Style
_____	_____	_____	_____
_____	_____	_____	_____
_____	_____	_____	_____

For more information about the club contact the President, Jeff Slagle (256) 679-9775
or visit the club website at <http://naraaca.org>